

HIGH/LOW BAY



OPTIONS

STYLIZED FRAME W/LOUVER



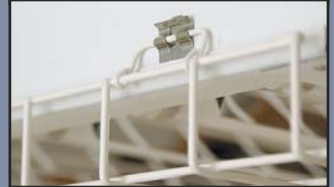
WIRE GUARD



HINGED FRAME



WIRE GUARD CLIPS



OPTIONS

Application

- Low bay/high bay warehouses/manufacturing facilities
- Sport facilities and multifunction rooms
- Big box stores and retail facilities

Finishes Available

Frame:

- Standard in white CRS

Reflectors:

- Aluminum enhanced 95% reflectance
- White steel 86% reflectance

Features

- Ceiling mounted or suspended with cables, stems or chains by others
- Reflectors available with 10% up-light or 100% down-light
- Individual computer designed reflectors install with quarter-turn fasteners (provided)
- Frame accommodates 4 or 6 T5HO lamps; 4 or 6 T8 lamps or a combination of T5HO and T8 lamps
- Space available for 4 ballasts, motion sensors and remote control switching.
- Only 2 1/2"H X 22 1/2"W X 50"L and weighs 18 pounds without ballasts.

Diffuser

- Optional stylized frame available that will accommodate louvers and lenses for low bay application. Hinged torsion springs for re-lamping.
- Optional 11-gauge wire guard with clips for hinging. Can be used with the stylized frame.

Optional Features

- Luminaire can be differentiated to accommodate your design objectives

Custom modifications in the physical specification and color are available for this fixture.

Lamping Options

| T5HO | T8 |
|---------|---------|
| (4) 54W | (4) 32W |
| (6) 54W | (6) 32W |

Packaging

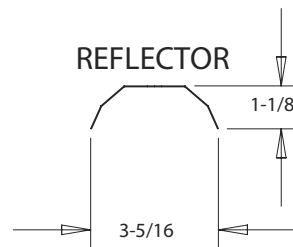
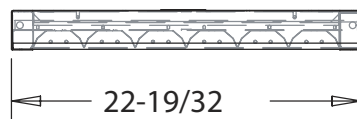
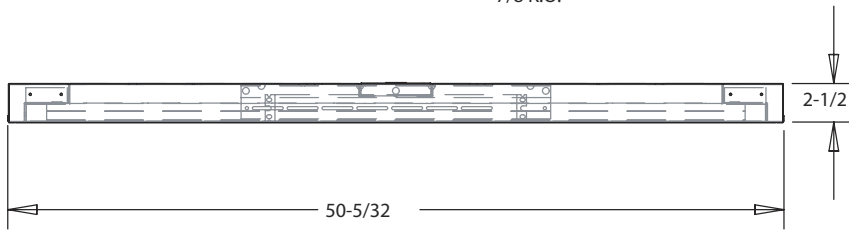
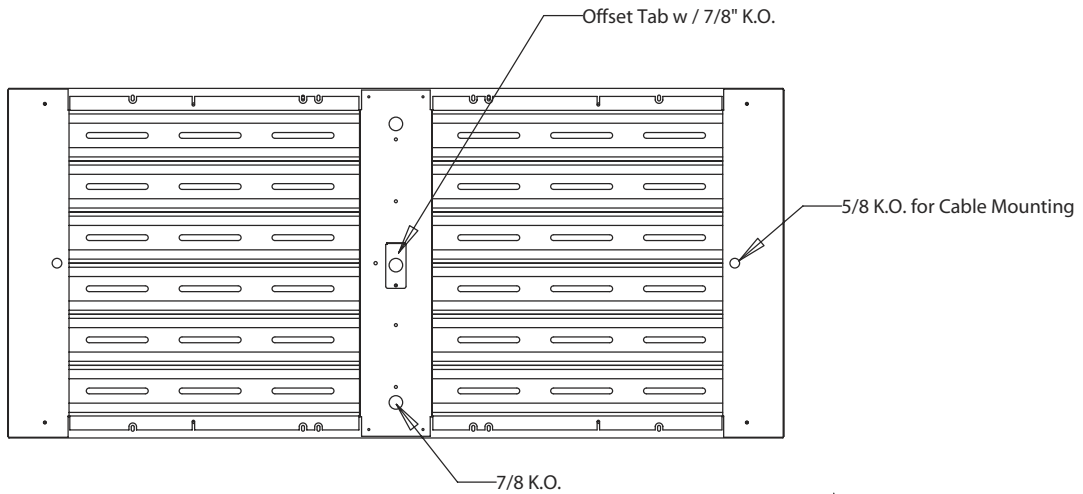
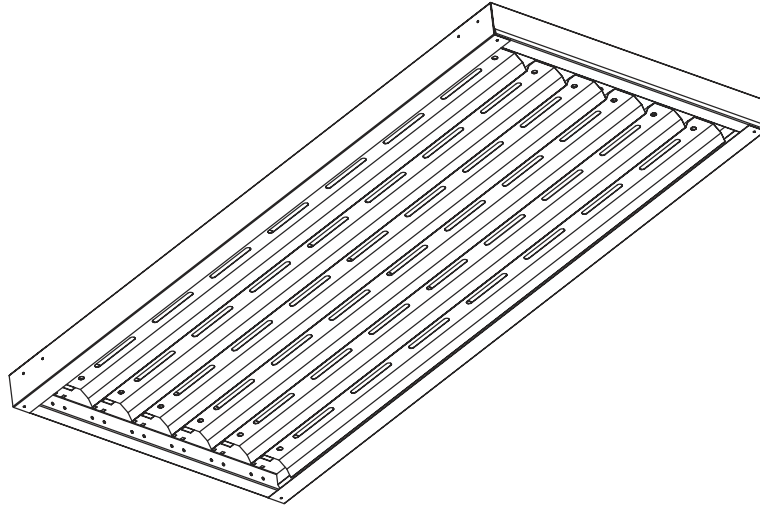
| | |
|------------|----|
| Bodies | 2 |
| Reflectors | 12 |

PATENT APPLIED FOR

Adam Metal Products Company • P.O. Box 450 • Ledgewood, NJ • 07852
(973)770-1100 • Fax (973)770-1105 • E-mail: info@adammetal.com



HIGH/LOW BAY



Lamping Options

| T5HO | T8 |
|---------|---------|
| (4) 54W | (4) 32W |
| (6) 54W | (6) 32W |

REV 3-4-04

